

Product manual

Constant volume dampers

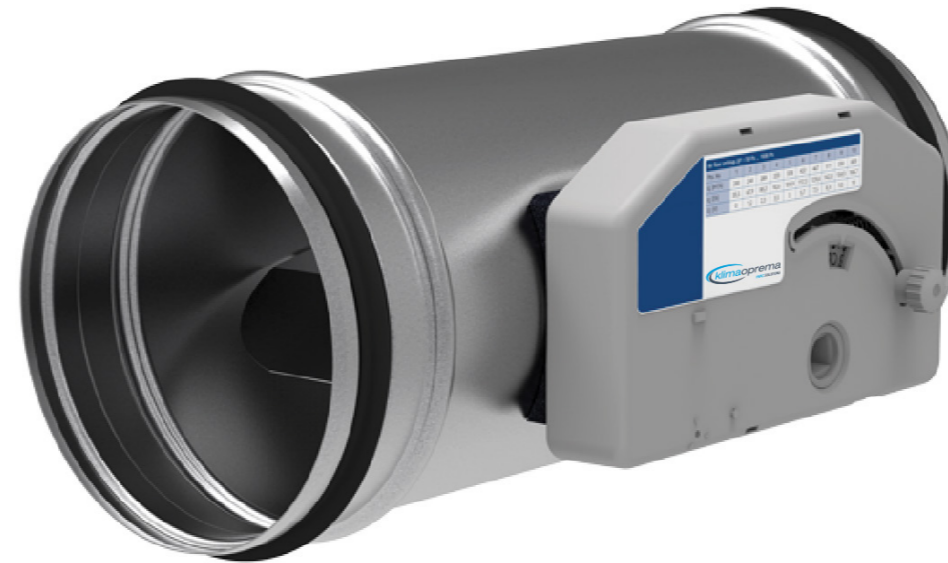
RKP-C-N

Airflow regulation

Version 1.0.3
Date: 22.10.2021

RKP-C-N

- For maintaining constant air volume in ventilation systems, without additional power supply
- Made of galvanized steel sheet, damper blade made of anodized aluminium sheet
- Recommended airflow velocity from 3 to 8 m/s, at pressure difference $\Delta p > 50$ Pa
- Adjusting required constant amount is done by turning of working screw on the right side of the cover
- Working temperature $-20...80$ °C
- Relative humidity 5...80% rh
- Constant flow $\pm 10\%$ set value
- Casing airtightness Class C



- ▼ [Product overview](#)
- ▼ [Ordering key](#)
- ▼ [Installation](#)
- ▼ [Diagrams](#)
- ▼ [Maintenance](#)



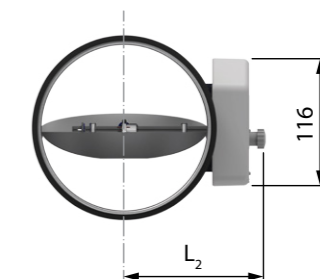
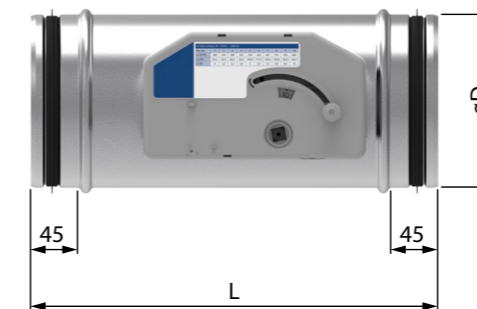
PRODUCT OVERVIEW

AIRFLOW REGULATION

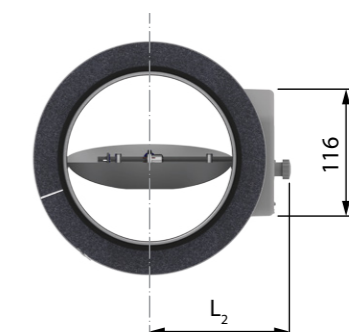
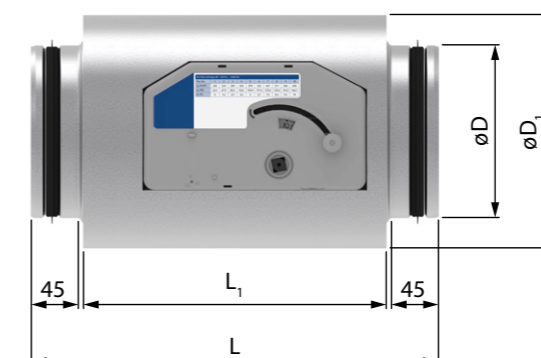
DIMENSIONS

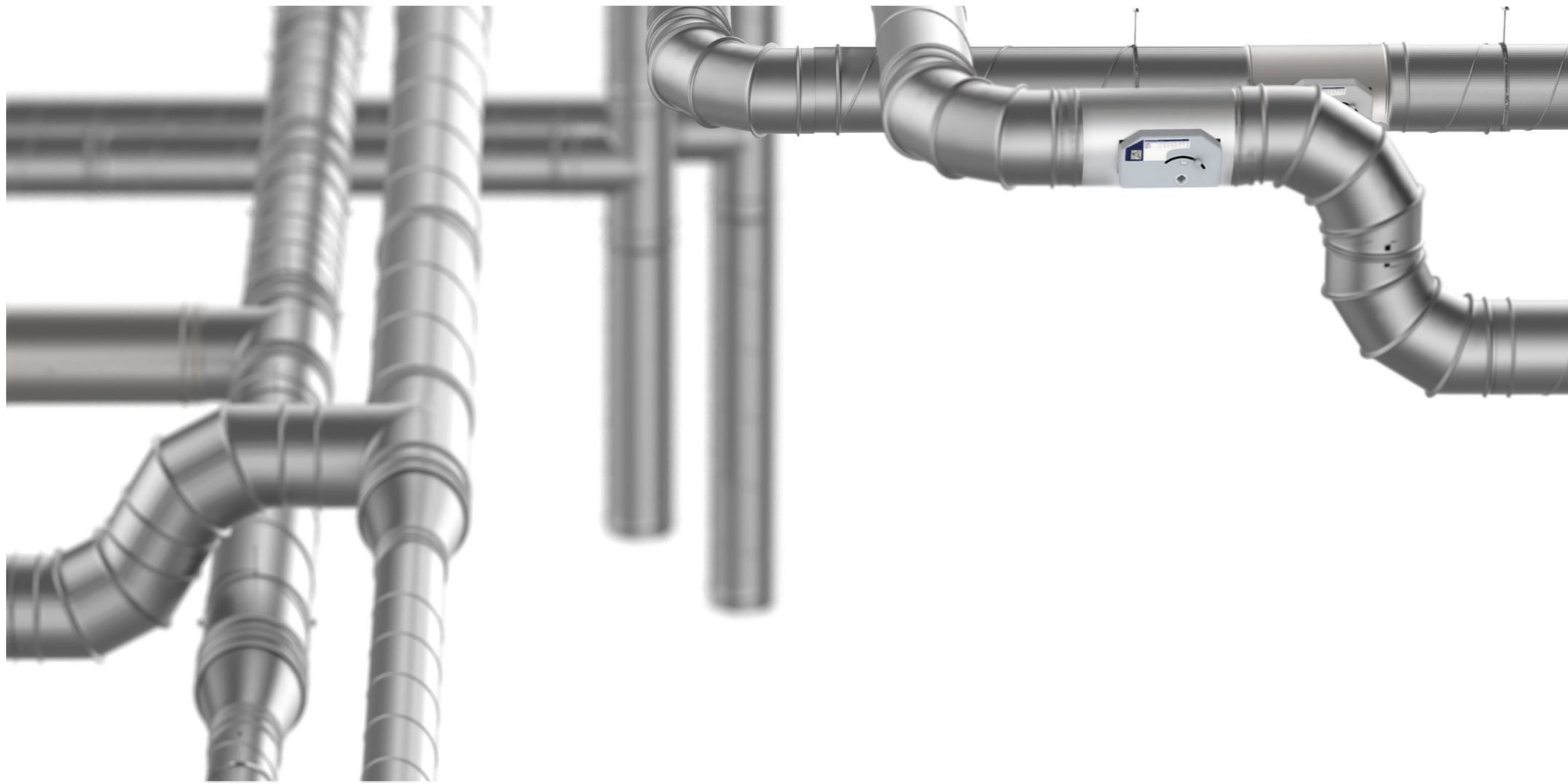
Dn [mm]	Vmin [m³/h]	Vmax [m³/h]	øD [mm]	øD1 [mm]	L [mm]	L1 [mm]	L2 [mm]	m [kg]	m(z) [kg]
100	79	264	98	155	350	251	93	1,2	2,0
125	135	387	123	180	360	261	106	1,4	2,4
160	227	662	158	215	380	281	123	1,8	3,2
200	335	954	198	255	400	301	143	2,3	4,2
250	517	1644	248	305	425	326	165	3,6	6,1
315	769	2423	313	370	485	386	201	5,0	8,7
400	1372	3947	398	455	530	431	243	6,9	12,2

RKP-C-N



RKP-C-N-Z (insulated version)





- ▼ [Product overview](#)
- ▼ [Ordering key](#)
- ▼ [Installation](#)
- ▼ [Diagrams](#)
- ▼ [Maintenance](#)

 ORDERING KEY

AIRFLOW REGULATION

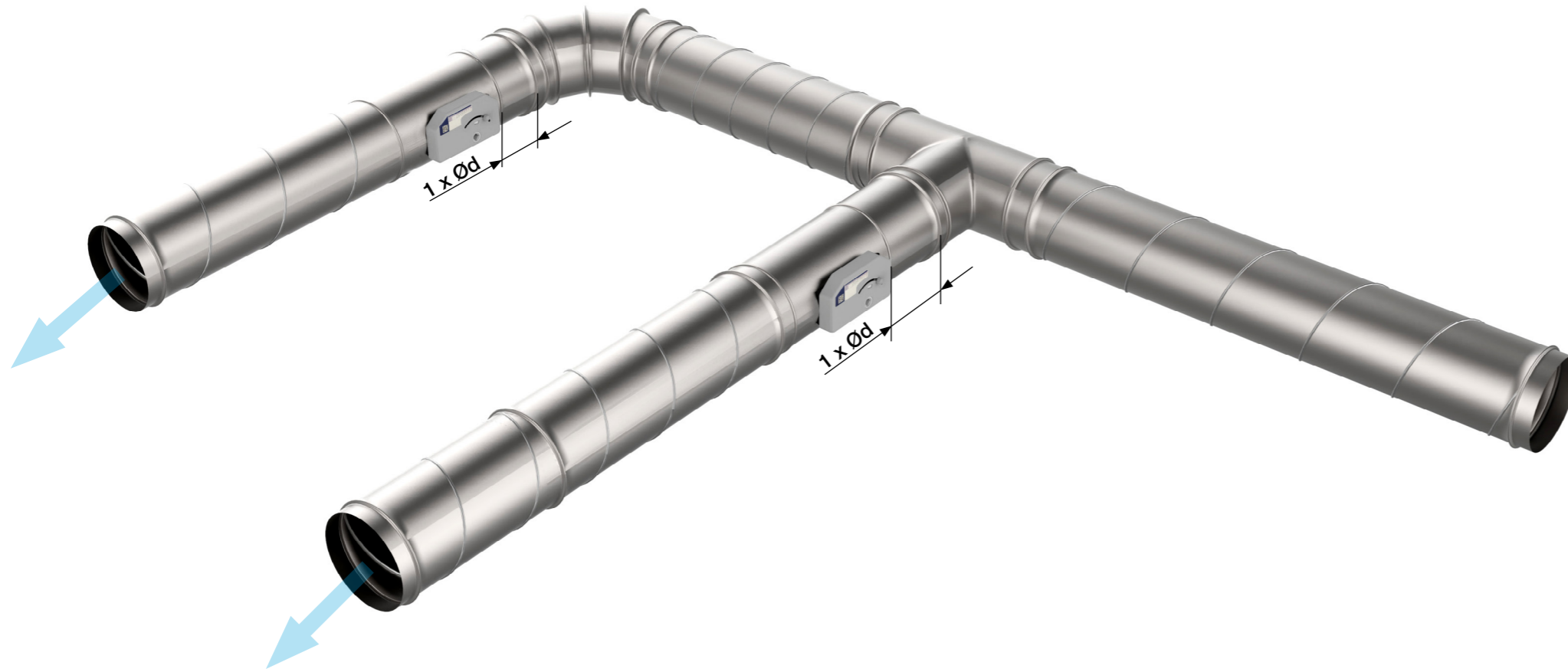
ORDERING KEY

(1) Constant volume damper (2) Dimensions (3) Actuator (4) Insulation

RKP-C-N - Ød - R - Z

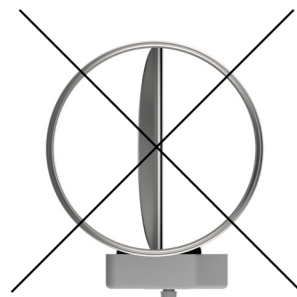
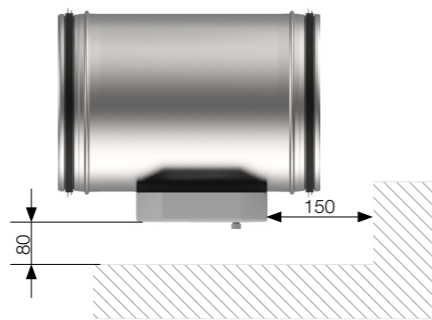
- (1) **RKP-C-N**
- (2) **Ød** - dimensions
- (3) **R** - manual drive
- (4) **Z** - insulation

Installation process



- ▼ [Product overview](#)
- ▼ [Ordering key](#)
- ▼ [Installation](#)
- ▼ [Diagrams](#)
- ▼ [Maintenance](#)

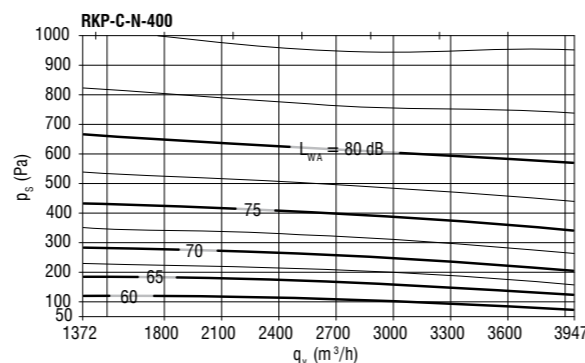
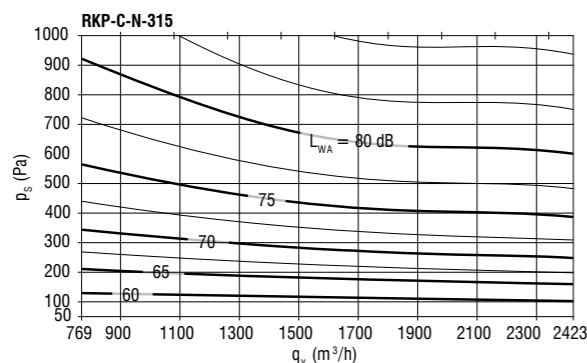
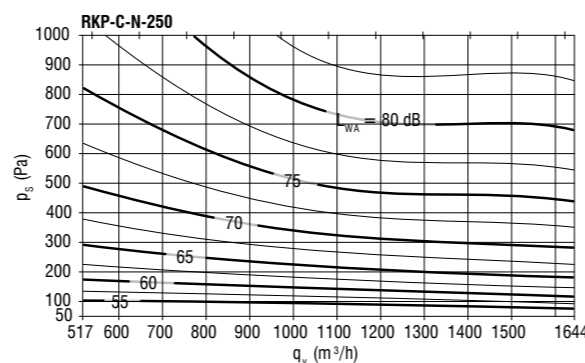
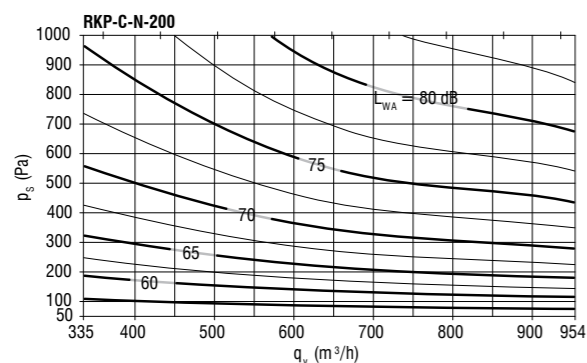
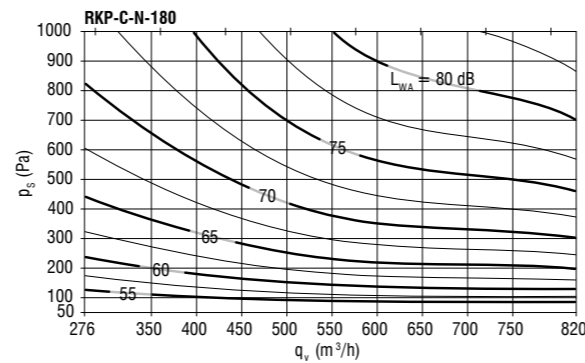
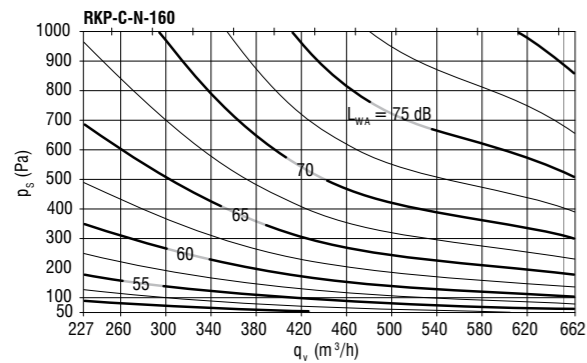
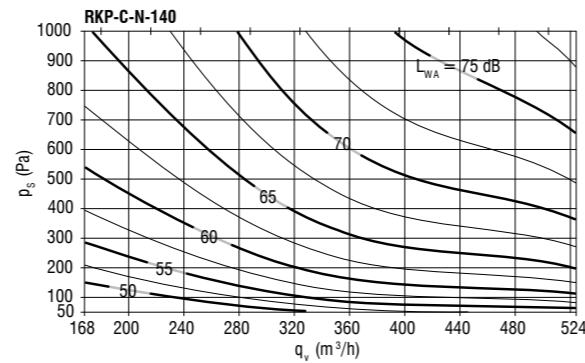
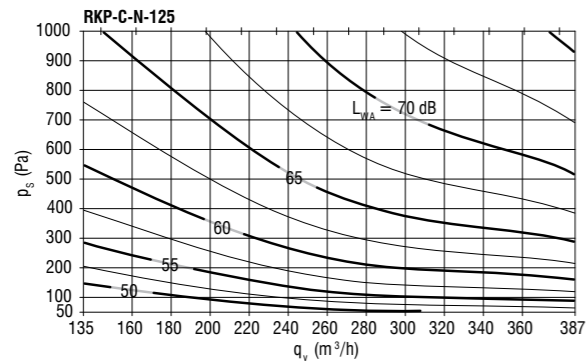
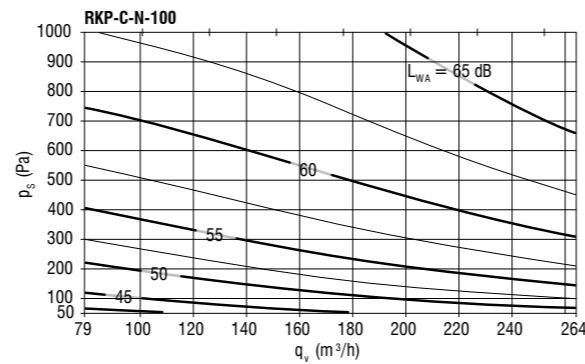
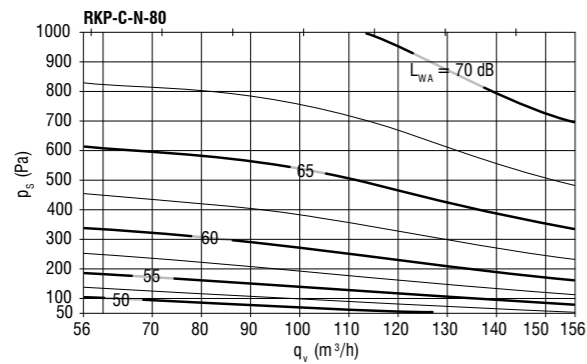
INSTALLATION



Installation in horizontal, angled or vertical duct so that rotation axis is always in horizontal position.

- Required length of straight section before regulator is $L > 3d$.
- If $L < 3d$, a 10% error in regulation occurs so that kind of installation is not advisable.
- Pay attention to airflow direction marking on the regulator. If not correctly installed, regulator will not work.
- Maintenance is not required.

Sound power level diagrams



- ▼ [Product overview](#)
- ▼ [Ordering key](#)
- ▼ [Installation](#)
- ▼ [Diagrams](#)
- ▼ [Maintenance](#)

DIAGRAMS



- ▼ [Product overview](#)
- ▼ [Ordering key](#)
- ▼ [Installation](#)
- ▼ [Diagrams](#)
- ▼ [Maintenance](#)



TRANSPORT

After arrival, check the damper for transport damage and shortcomings. In case of any damage or shortcomings, immediately contact your supplier.

STORAGE

If the damper is not installed immediately:

- Remove any wrapping.
- Protect damper from dust and contamination.
- Do not expose the CAV damper to the effects of weather - store the damper in a dry place.
- Do not store the unit below -20 °C or above 50 °C.

Please properly dispose of packaging material!

MAINTENANCE AND OPERATION

Constant volume dampers are designed with fully enclosed drive mechanism outside of the duct and as such do not require cleaning and regular maintenance.

However, activation mechanism should be inspected for proper operation on regular basis.

- Provide at least one annual check of the damper
- After each intervention, provide a systematic cleaning of dust
- Cleaning instruction: clean with a sponge, with water or a mild detergent
- Disinfection instruction: spray disinfectant (disinfectant may contain alcohol which is flammable, take precaution to avoid ignition)

It is not permitted to alter the products in any way nor perform any changes to their structure (except for the service procedures described in this manual) without the manufacturer's consent.
Provide at least one annual check of the damper.

The functional test must be carried out in compliance with the basic maintenance principles of the European norms.




COMMISSIONING

- Carefully unpack damper - be careful of sharp edges and do not use excessive force for unpacking
- Inspect the product - check the volume flow damper for damage
- Installation of the volume flow damper - according to the installation instructions ([page 4.](#))
- Before commissioning: check the product functions



AIRFLOW REGULATION

Projektiranje, proizvodnja i održavanje opreme za klimatizaciju, ventilaciju i čiste prostore.
Design, production and service of Ventilation, Air-Conditioning and Cleanroom equipment.

 Gradna 78A, 10430 Samobor, Croatia
 +385 (0)1 33 62 513
 info@klimaoprema.com
 www.klimaoprema.com